

E2CHI - E2 CHEST HARNESS INTERFACE FOR ELITE E2 BACKS

The **E2 Chest Harness Interface (E2CHI)** allows for precise alignment of Shoulder Strap Guides to maintain proper body positioning. The E2CHI can be installed onto Elite E2S/E2D Backs with back heights of 14"H (36cm) and up. The E2 Chest Harness Interface plate is aligned and installed in combination with the E2 Headrest Mounting Plate*. The E2 Chest Harness Interface is available in two sizes:

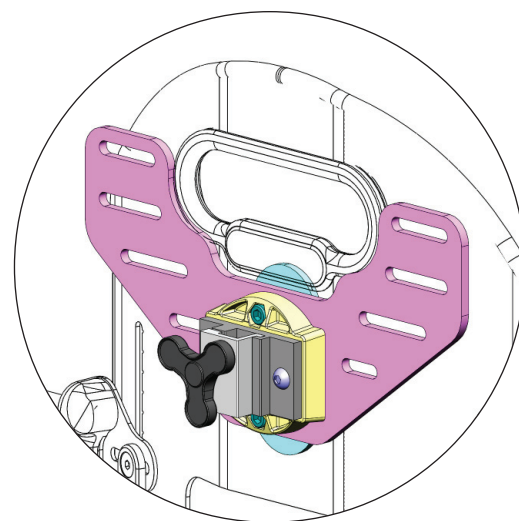
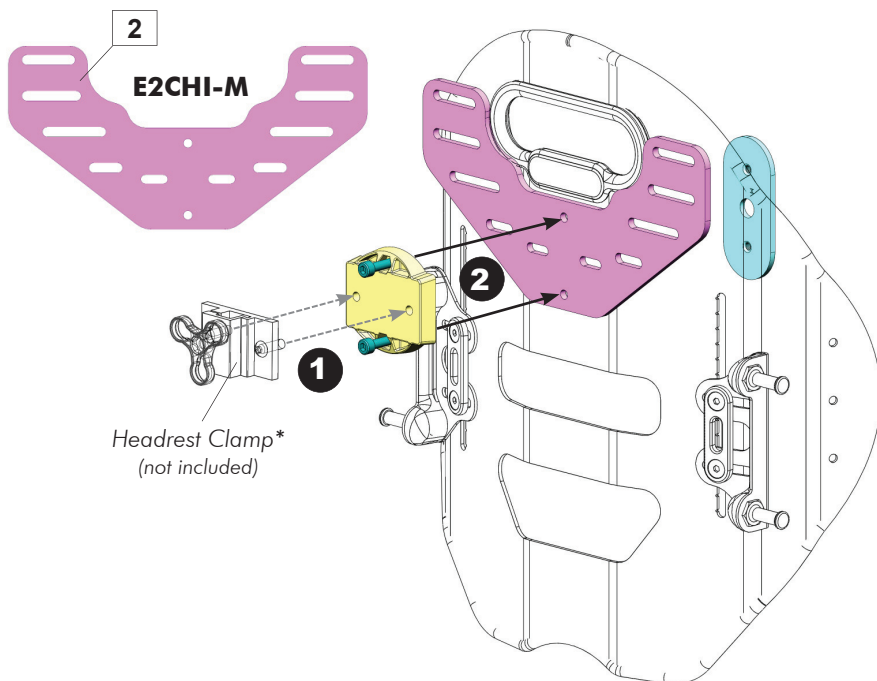
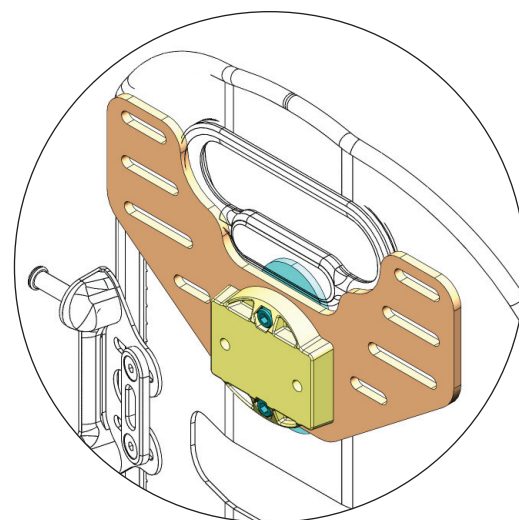
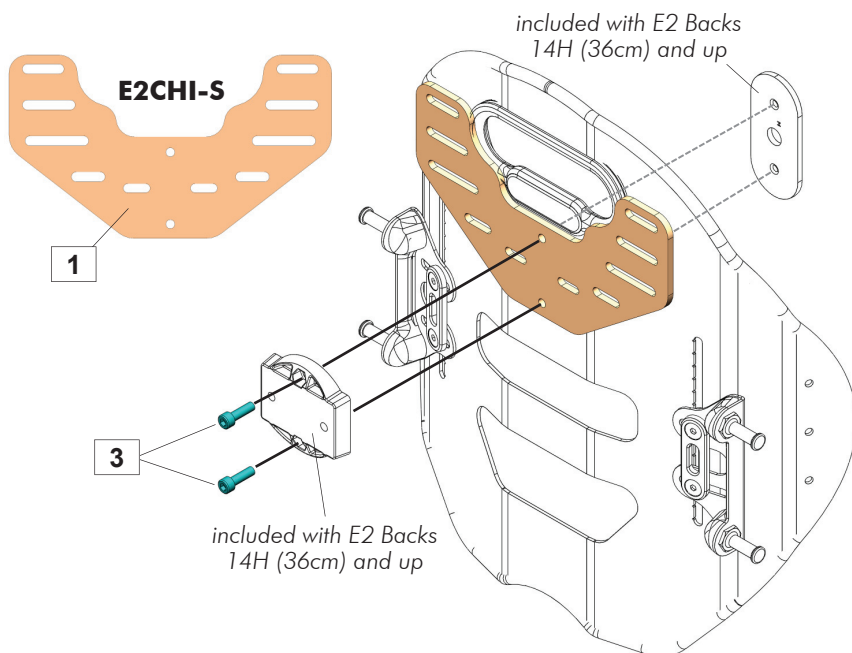
E2CHI-S: fits back widths from 14" to 15" (36cm to 38cm)

E2CHI-M: fits back widths from 16" to 20" (41cm to 51cm)

(*Note: the E2 Headrest Mounting Plate is included with Elite E2 Backs 14H (36cm) and up).

E2CHI - E2 CHEST HARNESS INTERFACE INSTALLATION:

Item	Qty	Description
1	1	E2CHI-S Pediatric Chest Harness Interface Plate
2	1	E2CHI-M Chest Harness Interface Plate
3	2	M6-1.0 x 20mm Button Socket Cap, Alloy Steel, BZ



i *NOTE: The Headrest Clamp assembly (sold separately) must be installed onto the E2 Headrest Adapter Plate **PRIOR** to installation onto the Chest Harness Interface plate/E2 back shell

Invacare Distributors:

Belgium & Luxemburg:
Invacare nv Autobaan 22
B-8210 Loppem
Tel: (32) (0)50 83 10 10
Fax: (32) (0)50 83 10 11
belgium@invacare.com
www.invacare.be

España:
Invacare SA
c/Areny s/n, Polígon Industrial
de Celrà
E-17460 Celrà (Girona)
Tel: (34) (0)972 49 32 00
Fax: (34) (0)972 49 32 20
contactsp@invacare.com
www.invacare.es

Danmark:
Invacare A/S Sdr. Ringvej 37
DK-2605 Brøndby
Tel: (45) (0)36 90 00 00
Fax: (45) (0)36 90 00 01
denmark@invacare.com
www.invacare.dk

France:
Invacare Poirier SAS
Route de St Roch
F-37230 Fondettes
Tel: (33) (0)2 47 62 64 66
Fax: (33) (0)2 47 42 12 24
contactfr@invacare.com
www.invacare.fr

Portugal:
Invacare Lda
Rua Estrada Velha, 949
P-4465-784 Leça do Balio
Tel: (351) (0)225 1059 46/47
Fax: (351) (0)225 1057 39
portugal@invacare.com
www.invacare.pt

Deutschland:
Invacare GmbH
Alemannenstraße 10
D-88316 Isny
Tel: (49) (0)7562 700 0
Fax: (49) (0)7562 700 66
kontakt@invacare.com
www.invacare.de

Ireland:
Invacare Ireland Ltd,
Unit 5 Seatown Business Campus
Seatown Road, Swords,
County Dublin
Tel : (353) 1 810 7084
Fax: (353) 1 810 7085
ireland@invacare.com
www.invacare.ie

Eastern Europe, Middle East & CIS:
Invacare EU Export Kleiststraße 49
D-32457 Porta Westfalica /
Germany
Tel: (49) (0)57 31 754 540
Fax: (49) (0)57 31 754 541
webinfo-eu-export@invacare.com
www.invacare-eu-export.com

Italia:
Invacare Mecc San s.r.l.,
Via dei Pini 62,
I-36016 Thiene (VI)
Tel: (39) 0445 38 00 59
Fax: (39) 0445 38 00 34
italia@invacare.com
www.invacare.it

United Kingdom:
Invacare Limited
Pencoed Technology Park,
Pencoed
Bridgend CF35 5AQ
Tel: (44) (0) 1656 776 222
Fax: (44) (0) 1656 776 220
uk@invacare.com
www.invacare.co.uk

Nederland:
Invacare BV Galvanistraat 14-3
NL-6716 AE Ede
Tel: (31) (0)318 695 757
Fax: (31) (0)318 695 758
nederland@invacare.com
www.invacare.nl

Suomi:
Camp Mobility
Patamäenkatu 5,
33900 Tampere
Puhelin 09-35076310
info@campmobility.fi
www.campmobility.fi

Norge:
Invacare AS
Grensesvingen 9, Postboks 6230,
Etterstad
N-0603 Oslo
Tel: (47) (0)22 57 95 00
Fax: (47) (0)22 57 95 01
norway@invacare.com
www.invacare.no

Sverige:
Invacare AB Fagerstagatan 9
S-163 53 Spånga
Tel: (46) (0)8 761 70 90
Fax: (46) (0)8 761 81 08
sweden@invacare.com
www.invacare.se

Österreich:
Invacare Austria GmbH Herzog
Odiolostrasse 101
A-5310 Mondsee
Tel: (43) 6232 5535 0
Fax: (43) 6232 5535 4
info-austria@invacare.com
www.invacare.at

Schweiz / Suisse / Svizzera:
Invacare AG Benkenstrasse 260
CH-4108 Witterswil
Tel: (41) (0)61 487 70 80
Fax: (41) (0)61 487 70 81
switzerland@invacare.com
www.invacare.ch

USA:
Invacare USA
Worldwide Headquarters
One Invacare Way
Elyria, Ohio,
USA 44036-2125
Tel: (1) 800 333 6900
Fax: (1) 877 619 7996
www.invacare.com

Canada:
Invacare Canada
570 Matheson Blvd. E.
Unit 8
Mississauga, Ontario
Canada L4Z 4G4
Tel: (800) 668 5324
Fax: (905) 890 5244
www.invacare.ca



Motion Concepts
84 Citation Drive, Unit 1
Concord, Ontario L4K 3C1
Canada



Advena Ltd.
Tower Business Center, 2nd Flr
Tower Street, Swatar BKR 4103
Malta

